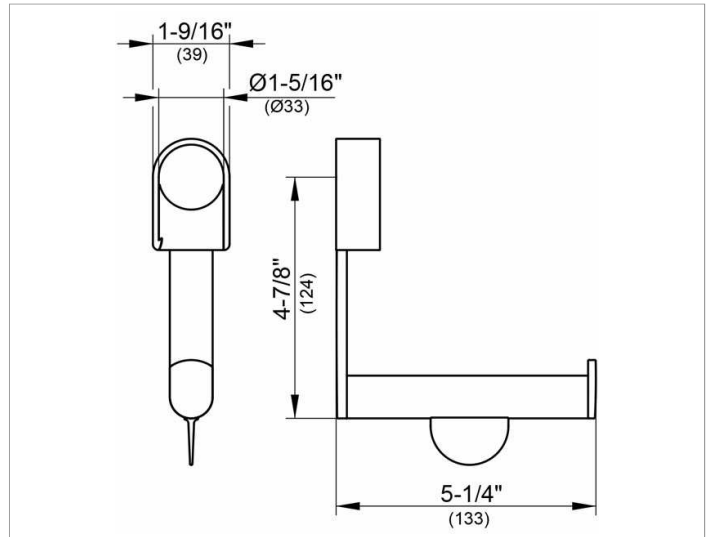


Plan Care
34962010000 Toilet paper holder

PRODUCT



DRAWING



PRODUCT ATTRIBUTES

for mounting on rail system

SURFACE

polished chrome

SPECIFICATIONS

KEUCO PLAN CARE Toilet paper holder, 34962010000,
 high shine chrome-plated
 for mounting on an angle bar

May be combined with angle bar
 (Art. no. 34906)
 Please order separately!

Warranty: KEUCO products are covered by a 5-year manufacturer's warranty, in effect from the date of purchase. During this time, proven product defects will be remedied free of charge. Warranty claims must be filed in writing, including a detailed description of the defect immediately after a defect has occurred. For a copy of our detailed product warranty policy, please contact us at office-usa@keuco.com.

Installation: KEUCO products must be installed by a qualified professional in accordance with the respective installation guidelines and any applicable federal / local building codes and regulations.