

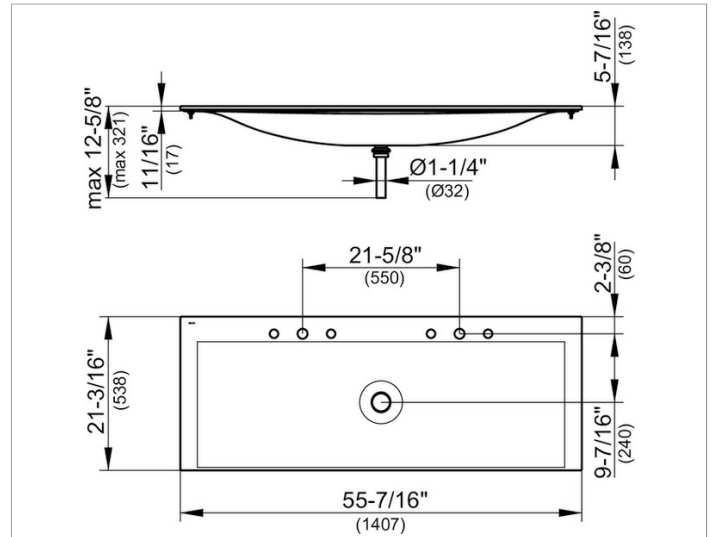
Edition 11

31160311456 Ceramic double-washbasin

PRODUCT



DRAWING



PRODUCT ATTRIBUTES

2 x 3 tap holes (7-7/8 inch widespread drilling), without overflow, with CleanPlus surface and basin waste in polished chrome (art. no. 59904)

SURFACE

white

DIMENSION

55,39 x ,67 x 21,18 "

Warranty: KEUCO products are covered by a 5-year manufacturer's warranty, in effect from the date of purchase. During this time, proven product defects will be remedied free of charge. Warranty claims must be filed in writing, including a detailed description of the defect immediately after a defect has occurred. For a copy of our detailed product warranty policy, please contact us at office-usa@keuco.com.

Installation: KEUCO products must be installed by a qualified professional in accordance with the respective installation guidelines and any applicable federal / local building codes and regulations.