

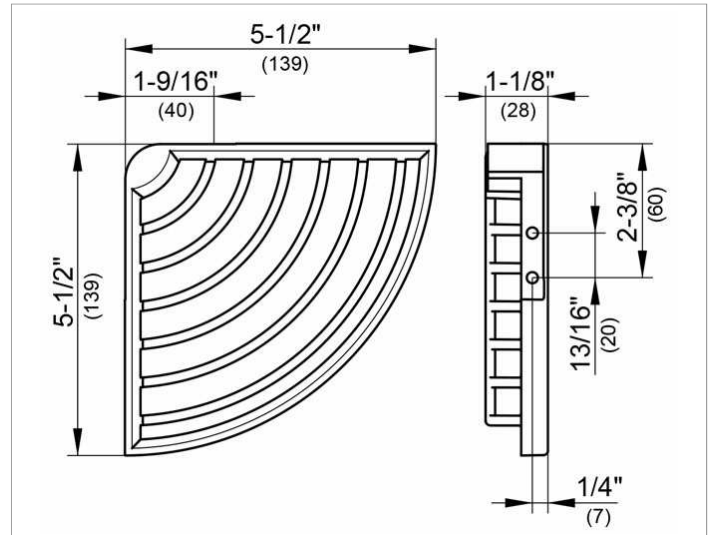
**Shower shelves**

**2494301000 Soap wire basket for corner installation**

**PRODUCT**



**DRAWING**



**PRODUCT ATTRIBUTES**

removable, with concealed fastening screws

**SURFACE**

polished chrome

**SPECIFICATIONS**

KEUCO SOAP WIRE BASKET for corner installation, wall mounted, 2494301000  
 chrome-plated soap wire basket for corner installation in a functional design,  
 easy to clean, removable  
 leg length 5-1/2", height 1-1/8",  
 with concealed fastening screws  
 incl. corrosion-free mounting material

**Warranty:** KEUCO products are covered by a 5-year manufacturer's warranty, in effect from the date of purchase. During this time, proven product defects will be remedied free of charge. Warranty claims must be filed in writing, including a detailed description of the defect immediately after a defect has occurred. For a copy of our detailed product warranty policy, please contact us at [office-usa@keuco.com](mailto:office-usa@keuco.com).

**Installation:** KEUCO products must be installed by a qualified professional in accordance with the respective installation guidelines and any applicable federal / local building codes and regulations.