

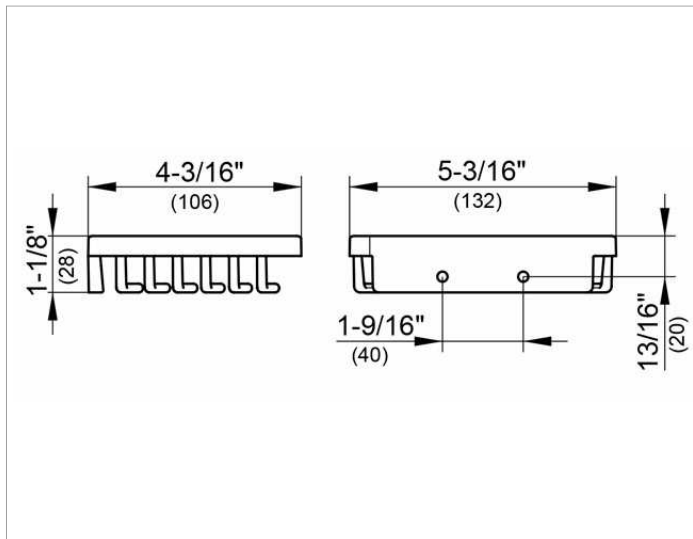
**Shower shelves**

24941010000 Soap basket

**PRODUCT**



**DRAWING**



**PRODUCT ATTRIBUTES**

removable, with concealed fastening screws

**SURFACE**

polished chrome

**SPECIFICATIONS**

KEUCO SOAP WIRE BASEKET, wall mounted, 24941010000  
 chrome-plated soap wire basket in a functional design,  
 easy to clean, removable,  
 depth 4-3/16", width 5-3/16", height 1-1/8",  
 distance between bore holes 1-9/16"  
 with concealed fastening screws  
 incl. corrosion-free mounting material

**Warranty:** KEUCO products are covered by a 5-year manufacturer's warranty, in effect from the date of purchase. During this time, proven product defects will be remedied free of charge. Warranty claims must be filed in writing, including a detailed description of the defect immediately after a defect has occurred. For a copy of our detailed product warranty policy, please contact us at office-usa@keuco.com.

**Installation:** KEUCO products must be installed by a qualified professional in accordance with the respective installation guidelines and any applicable federal / local building codes and regulations.