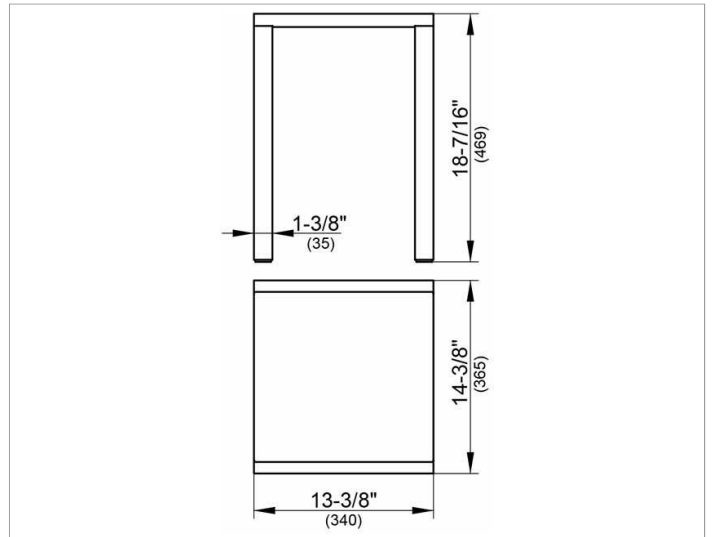


Plan
14982010051 Bathroom stool

PRODUCT



DRAWING



PRODUCT ATTRIBUTES

also suitable for showers

SURFACE

polished chrome/white (RAL 9010)

SPECIFICATIONS

KEUCO PLAN bathroom stool 14982010051 with two chrome-plated, antislip legs, 1-3/8" x 3/8", chrome-plated cylindric handle, seat white (RAL 9010) made from Polypropylene 13-3/8" x 14-3/8", seat height 18-7/16" load capacity up to 220 lb

Warranty: KEUCO products are covered by a 5-year manufacturer's warranty, in effect from the date of purchase. During this time, proven product defects will be remedied free of charge. Warranty claims must be filed in writing, including a detailed description of the defect immediately after a defect has occurred. For a copy of our detailed product warranty policy, please contact us at office-usa@keuco.com.

Installation: KEUCO products must be installed by a qualified professional in accordance with the respective installation guidelines and any applicable federal / local building codes and regulations.