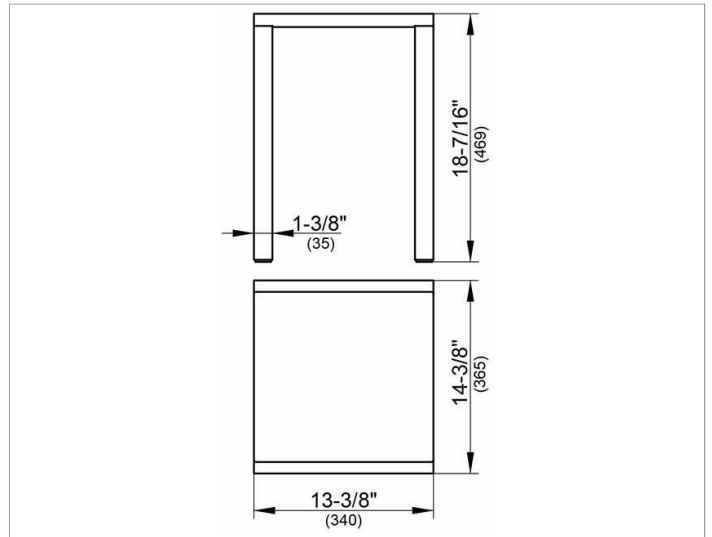


Plan
14982010037 Bathroom stool

PRODUCT



DRAWING



PRODUCT ATTRIBUTES

also suitable for showers

SURFACE

polished chrome/dark grey (RAL 7021)

SPECIFICATIONS

KEUCO PLAN bathroom stool 14982010037 with two chrome-plated, antislip legs, 1-3/8" x 3/8", chrome-plated cylindric handle, seat dark grey (RAL 7021)made from Polypropylene, 13-3/8" x 14-3/8", seat height 18-7/16" load capacity up to 220 lb

Warranty: KEUCO products are covered by a 5-year manufacturer's warranty, in effect from the date of purchase. During this time, proven product defects will be remedied free of charge. Warranty claims must be filed in writing, including a detailed description of the defect immediately after a defect has occurred. For a copy of our detailed product warranty policy, please contact us at office-usa@keuco.com.

Installation: KEUCO products must be installed by a qualified professional in accordance with the respective installation guidelines and any applicable federal / local building codes and regulations.