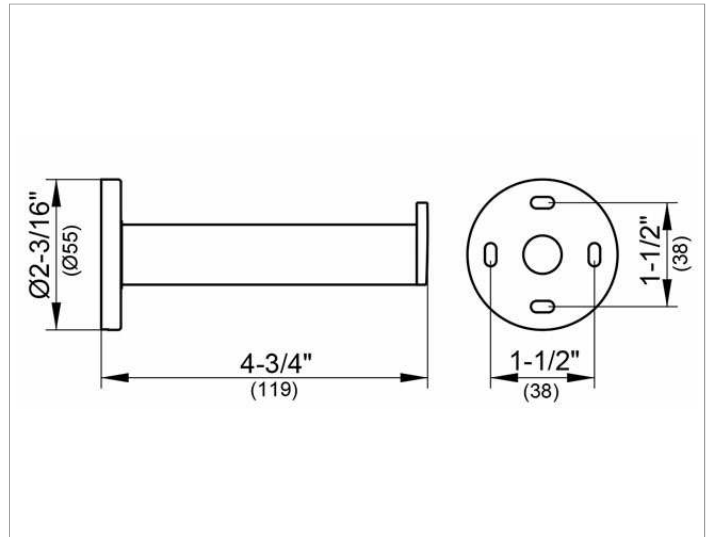


Plan
1496301000 Spare paper holder

PRODUCT



DRAWING



SURFACE

chrome-plated

SPECIFICATIONS

KEUCO PLAN spare toilet paper holder 1496301000
 chrome-plated in a stylish yet functional design
 wall mounted, round décor wall disc, diameter 2-3/16"
 easy to clean
 depth 4-3/4"

The spare toilet paper holder is fitted with 2 hidden fixing points
 incl. corrosion-free mounting material

Warranty: KEUCO products are covered by a 5-year manufacturer's warranty, in effect from the date of purchase. During this time, proven product defects will be remedied free of charge. Warranty claims must be filed in writing, including a detailed description of the defect immediately after a defect has occurred. For a copy of our detailed product warranty policy, please contact us at office-usa@keuco.com.

Installation: KEUCO products must be installed by a qualified professional in accordance with the respective installation guidelines and any applicable federal / local building codes and regulations.