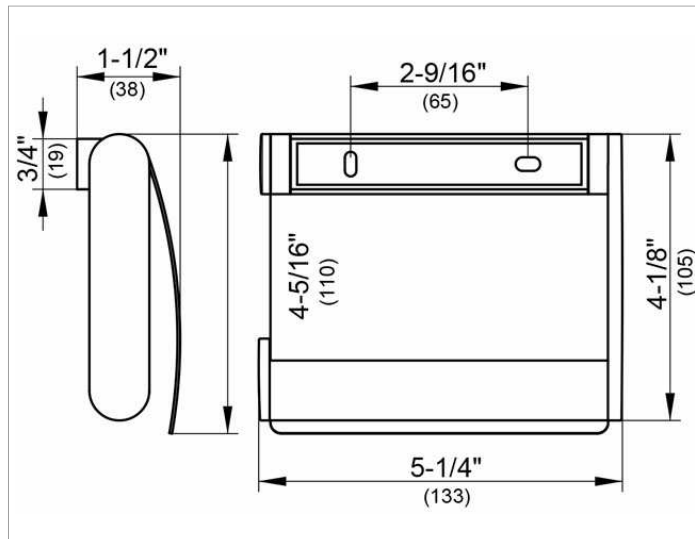


Plan
14960070000 Toilet paper holder

PRODUCT



DRAWING



PRODUCT ATTRIBUTES

with lid

SURFACE

stainless steel

SPECIFICATIONS

KEUCO PLAN toilet paper holder 14960070000
 Toilet paper holder in high grade stainless steel, in a stylish yet functional design
 with a beautiful curved lid
 suitable for 3-15/16"/4-3/4" wide toilet rolls
 width 5-1/4", height 4-1/8", projection 1-1/2"
 The toilet paper holder is fitted with 2 hidden fixing points
 incl. corrosion-free mounting material

Warranty: KEUCO products are covered by a 5-year manufacturer's warranty, in effect from the date of purchase. During this time, proven product defects will be remedied free of charge. Warranty claims must be filed in writing, including a detailed description of the defect immediately after a defect has occurred. For a copy of our detailed product warranty policy, please contact us at office-usa@keuco.com.

Installation: KEUCO products must be installed by a qualified professional in accordance with the respective installation guidelines and any applicable federal / local building codes and regulations.