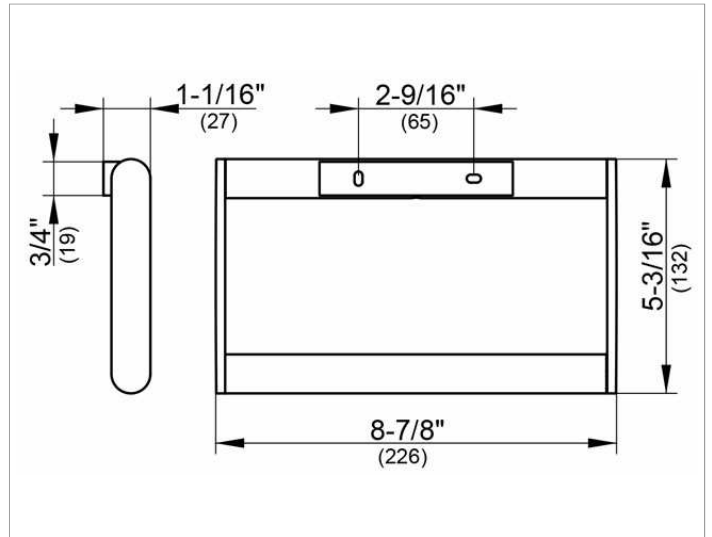


Plan
14921070000 Towel ring

PRODUCT



DRAWING



PRODUCT ATTRIBUTES

large model

SURFACE

stainless steel

SPECIFICATIONS

KEUCO PLAN towel ring 14921070000

Towel ring in high grade stainless steel, in a stylish yet functional design

Closed form, rectangular

Towel arm swivels, load bearing up to 55 lb, anti static, easy to clean

Width 8-7/8", height 5-3/16"

The towel ring is fitted with 2 hidden fixing points
incl. corrosion-free mounting material

Warranty: KEUCO products are covered by a 5-year manufacturer's warranty, in effect from the date of purchase. During this time, proven product defects will be remedied free of charge. Warranty claims must be filed in writing, including a detailed description of the defect immediately after a defect has occurred. For a copy of our detailed product warranty policy, please contact us at office-usa@keuco.com.

Installation: KEUCO products must be installed by a qualified professional in accordance with the respective installation guidelines and any applicable federal / local building codes and regulations.