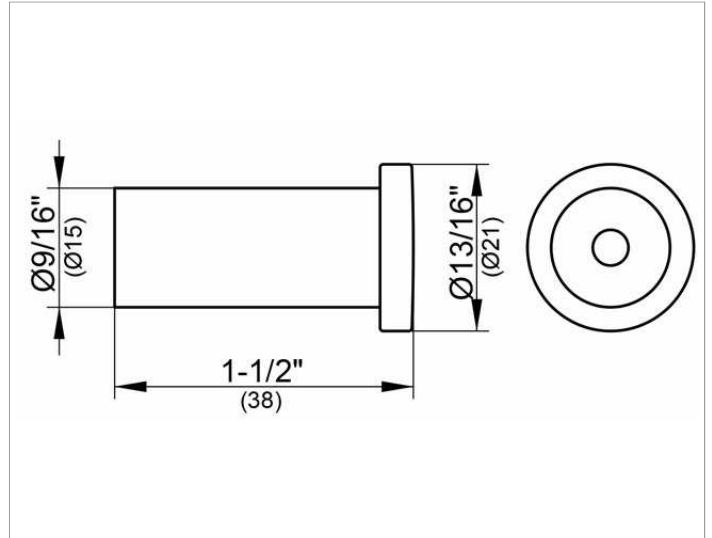


Plan
14916070000 Towel hook

PRODUCT



DRAWING



PRODUCT ATTRIBUTES

single

SURFACE

stainless steel

DIMENSION

1,5 "

SPECIFICATIONS

KEUCO PLAN towel hook 14916070000

A classic towel hook in high grade stainless steel, in a stylish yet functional design

Cylindrical form with rounded edges, easy to clean

Depth 1-1/2", diameter of cylinder 9/16", diameter of head 13/16"

The towel hook is fitted with 1 hidden fixing point
 incl. corrosion-free mounting material

Warranty: KEUCO products are covered by a 5-year manufacturer's warranty, in effect from the date of purchase. During this time, proven product defects will be remedied free of charge. Warranty claims must be filed in writing, including a detailed description of the defect immediately after a defect has occurred. For a copy of our detailed product warranty policy, please contact us at office-usa@keuco.com.

Installation: KEUCO products must be installed by a qualified professional in accordance with the respective installation guidelines and any applicable federal / local building codes and regulations.