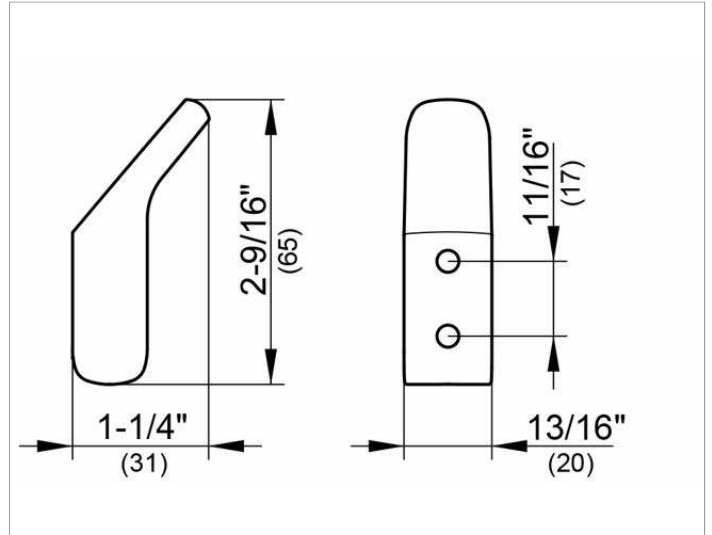


Collection Moll
12715010000 Towel hook

PRODUCT



DRAWING



PRODUCT ATTRIBUTES

single

SURFACE

chrome-plated

SPECIFICATIONS

KEUCO COLLECTION MOLL towel hook 12715010000
 Chrome-plated towel hook in an esthetic design with slightly rounded edges,
 Rectangular base, rectangular supporting area, hook head rounded edges,
 Easy to clean
 Projection 1-1/4", Width 13/16", Total height 2-9/16"
 The towel hook is fitted with 2 hidden fixing points, incl. corrosion-free material

Warranty: KEUCO products are covered by a 5-year manufacturer's warranty, in effect from the date of purchase. During this time, proven product defects will be remedied free of charge. Warranty claims must be filed in writing, including a detailed description of the defect immediately after a defect has occurred. For a copy of our detailed product warranty policy, please contact us at office-usa@keuco.com.
Installation: KEUCO products must be installed by a qualified professional in accordance with the respective installation guidelines and any applicable federal / local building codes and regulations.