

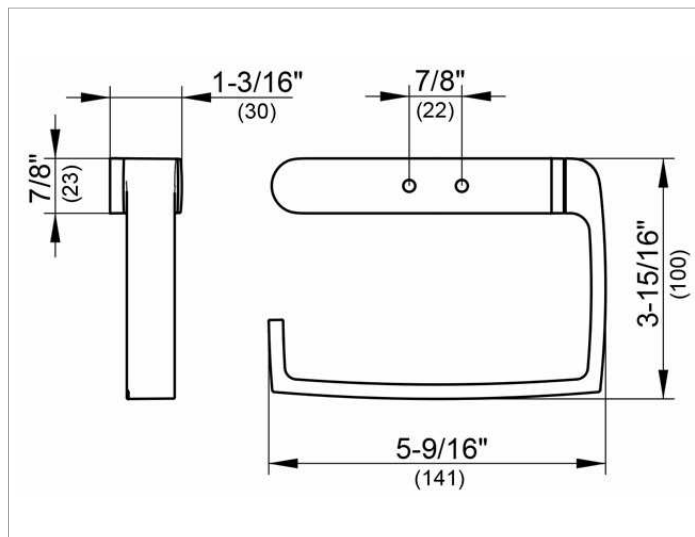
Elegance NEW

11662010000 Toilet paper holder

PRODUCT



DRAWING



PRODUCT ATTRIBUTES

open form

SURFACE

polished chrome

SPECIFICATIONS

KEUCO ELEGANCE Toilet paper grip 11662010000, open form
 Chrome-plated Toilet paper holder with an elegant shape,
 slightly shaped surfaces with a timeless design,
 easy to clean,
 for Wall mounting
 for 3-15/16" / 4-3/4" wide paper rolls
 Width 5-9/16",
 height 3-15/16"
 Projection 1-3/16"

The Toilet paper holder will be discretely mounted
 incl. corrosion-free mounting material

Warranty: KEUCO products are covered by a 5-year manufacturer's warranty, in effect from the date of purchase. During this time, proven product defects will be remedied free of charge. Warranty claims must be filed in writing, including a detailed description of the defect immediately after a defect has occurred. For a copy of our detailed product warranty policy, please contact us at office-usa@keuco.com.

Installation: KEUCO products must be installed by a qualified professional in accordance with the respective installation guidelines and any applicable federal / local building codes and regulations.