

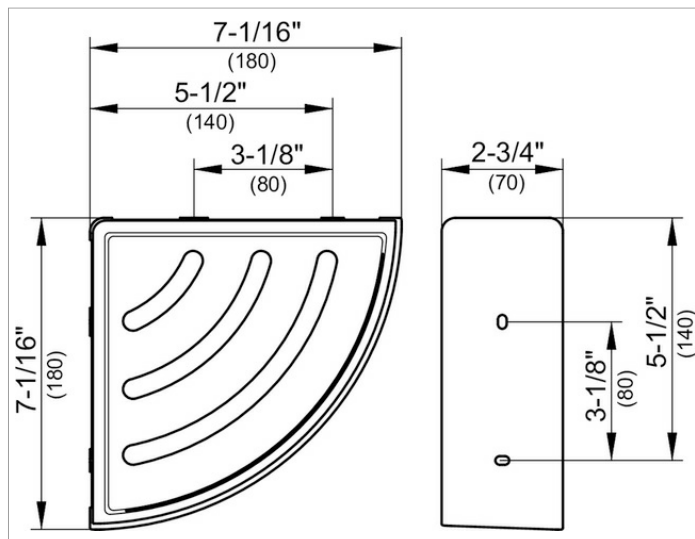
Elegance NEW

11657010000 Shower basket for corner installation

PRODUCT



DRAWING



PRODUCT ATTRIBUTES

two parts: metal basket and detachable synthetic insert, soap resistant, shatterproof, UV-protected

SURFACE

polished chrome/white

SPECIFICATIONS

KEUCO ELEGANCE sponge basket for corner installation 11657010000
 Two parts: metal basket (chrome-plated) and detachable (white)
 Synthetic insert, soap resistant, unbreakable, uv-protected
 chrome-plated sponge basket for corner installation in an elegant design,
 easy to clean,
 total depth 7-1/16", width 7-1/16", height 2-3/4", projection 7-1/16"
 incl. corrosion-free mounting material

Warranty: KEUCO products are covered by a 5-year manufacturer's warranty, in effect from the date of purchase. During this time, proven product defects will be remedied free of charge. Warranty claims must be filed in writing, including a detailed description of the defect immediately after a defect has occurred. For a copy of our detailed product warranty policy, please contact us at office-usa@keuco.com.

Installation: KEUCO products must be installed by a qualified professional in accordance with the respective installation guidelines and any applicable federal / local building codes and regulations.