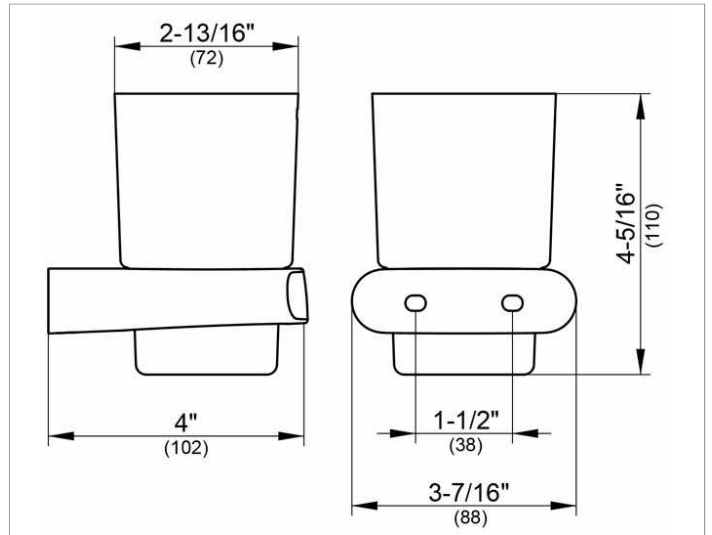


Elegance NEW
11650019000 Tumbler holder

PRODUCT



DRAWING



PRODUCT ATTRIBUTES

complete with crystal glass tumbler

SURFACE

polished chrome

SPECIFICATIONS

KEUCO ELEGANCE tumbler holder 11650019000
 for Wall mounting,
 complete chrome-plated tumbler holder with an elegant shape,
 slightly shaped surfaces with a timeless design,
 easy to clean,
 Height 4-5/16",
 Width 2-13/16",
 The tumbler holder will be discretely mounted

Warranty: KEUCO products are covered by a 5-year manufacturer's warranty, in effect from the date of purchase. During this time, proven product defects will be remedied free of charge. Warranty claims must be filed in writing, including a detailed description of the defect immediately after a defect has occurred. For a copy of our detailed product warranty policy, please contact us at office-usa@keuco.com.

Installation: KEUCO products must be installed by a qualified professional in accordance with the respective installation guidelines and any applicable federal / local building codes and regulations.