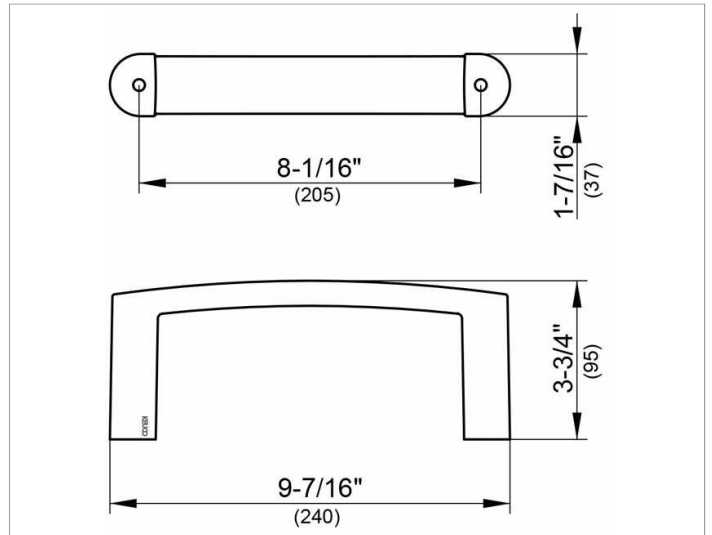


**Elegance NEW**  
**11621010000 Towel ring**

**PRODUCT**



**DRAWING**



**SURFACE**

chrome-plated

**DIMENSION**

3,74 "

**SPECIFICATIONS**

KEUCO ELEGANCE Towel ring 11621010000  
 Chrome-plated Towel ring with an elegant shape,  
 slightly oval profile,  
 slightly shaped surface with a timeless design,  
 Projection: 3-3/4",  
 Length 9-7/16"  
 The Towel hook will be discretely mounted  
 incl. corrosion-free mounting material

**Warranty:** KEUCO products are covered by a 5-year manufacturer's warranty, in effect from the date of purchase. During this time, proven product defects will be remedied free of charge. Warranty claims must be filed in writing, including a detailed description of the defect immediately after a defect has occurred. For a copy of our detailed product warranty policy, please contact us at [office-usa@keuco.com](mailto:office-usa@keuco.com).

**Installation:** KEUCO products must be installed by a qualified professional in accordance with the respective installation guidelines and any applicable federal / local building codes and regulations.