

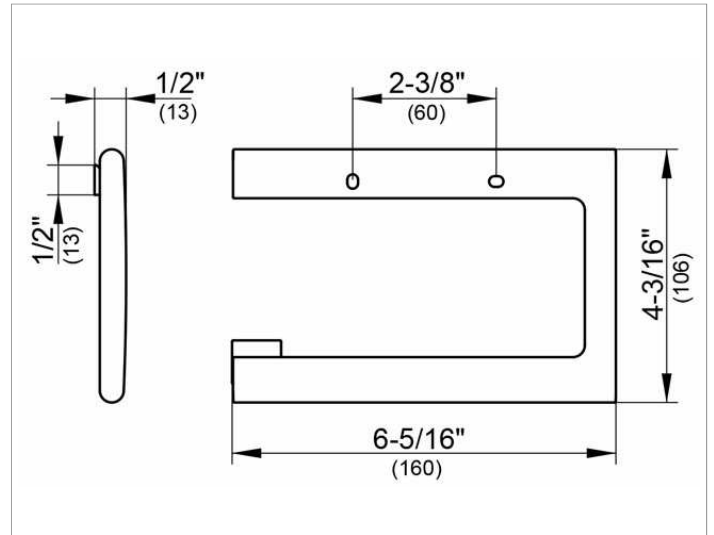
Edition 400
11562010000 Toilet paper holder

PRODUCT



SURFACE
chrome-plated

DRAWING



SPECIFICATIONS

KEUCO Edition 400 Toilet paper holder, 11562010000
chrome-plated toilet paper holder,
sculptural design,
easy to clean, wall-mounted,
with concealed bearing,
open form, for 3-15/16" / 4-3/4" wide paper rolls,
width 6-5/16", height 4-3/16", depth 1/2",
the toilet paper holder is fitted concealed,
delivery included anti-corrosion fixings

Warranty: KEUCO products are covered by a 5-year manufacturer's warranty, in effect from the date of purchase. During this time, proven product defects will be remedied free of charge. Warranty claims must be filed in writing, including a detailed description of the defect immediately after a defect has occurred. For a copy of our detailed product warranty policy, please contact us at office-usa@keuco.com.

Installation: KEUCO products must be installed by a qualified professional in accordance with the respective installation guidelines and any applicable federal / local building codes and regulations.