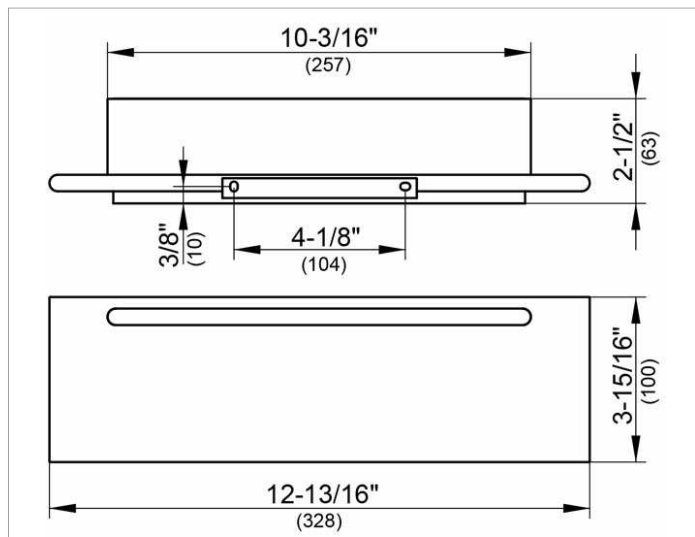


Edition 400
11559170000 Shower shelf

PRODUCT



DRAWING



PRODUCT ATTRIBUTES

with integrated squeegee

SURFACE

aluminum silver anodized/white (RAL 9010)

SPECIFICATIONS

KEUCO Edition 400 shower shelf with integrated glass wiper, 11559170000 shower shelf made from solid aluminium , aluminium silver-anodized (E6 EV1)/white, with integrated glass wiper, wall-mounted, with slightly rounded edges, width 12-13/16", thickness 11/16", depth 3-15/16", total height 2-1/2", the shower shelf is fitted concealed, delivery includes anti-corrosion fixings

Warranty: KEUCO products are covered by a 5-year manufacturer's warranty, in effect from the date of purchase. During this time, proven product defects will be remedied free of charge. Warranty claims must be filed in writing, including a detailed description of the defect immediately after a defect has occurred. For a copy of our detailed product warranty policy, please contact us at office-usa@keuco.com.

Installation: KEUCO products must be installed by a qualified professional in accordance with the respective installation guidelines and any applicable federal / local building codes and regulations.