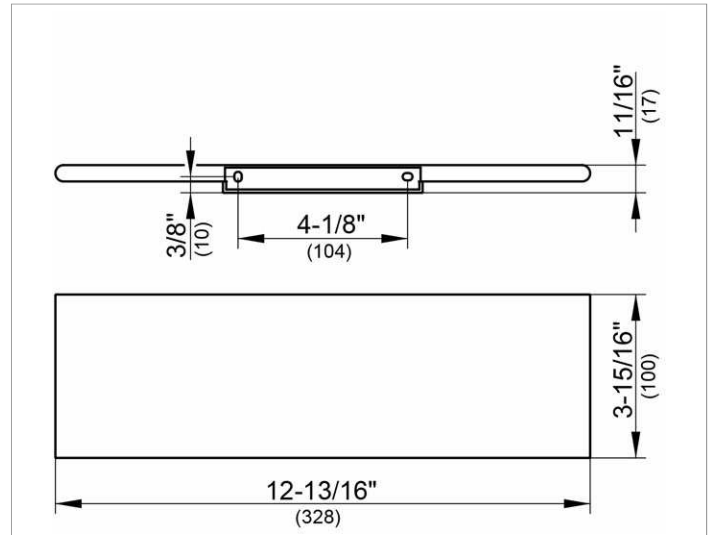


Edition 400
11558170000 Shower shelf

PRODUCT



DRAWING



SURFACE

aluminum silver anodized

SPECIFICATIONS

KEUCO Edition 400 shower shelf, 11558170000 shower shelf made from solid aluminium , aluminium silver anodized (E6 EV1), wall-mounted, with slightly rounded edges, width 12-13/16", thickness 11/16", depth 3-15/16", the shower shelf is fitted concealed, delivery includes anti-corrosion fixings

Warranty: KEUCO products are covered by a 5-year manufacturer's warranty, in effect from the date of purchase. During this time, proven product defects will be remedied free of charge. Warranty claims must be filed in writing, including a detailed description of the defect immediately after a defect has occurred. For a copy of our detailed product warranty policy, please contact us at office-usa@keuco.com.

Installation: KEUCO products must be installed by a qualified professional in accordance with the respective installation guidelines and any applicable federal / local building codes and regulations.