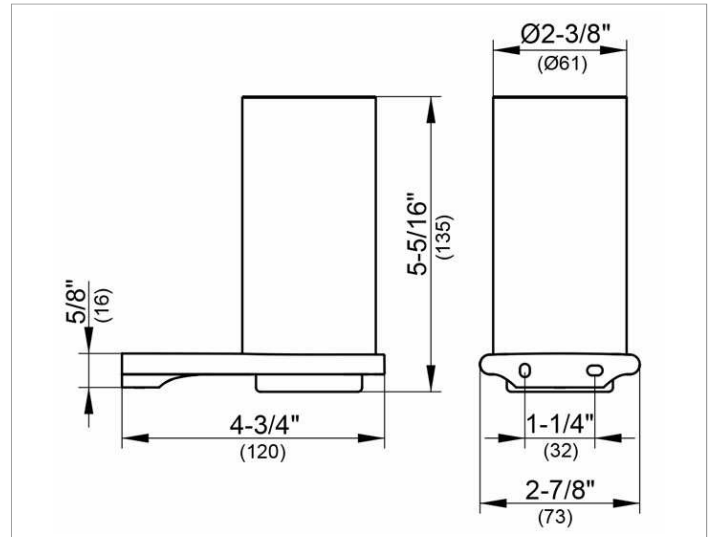


Edition 400  
11550059000 Tumbler holder

**PRODUCT**



**DRAWING**



**PRODUCT ATTRIBUTES**

complete with crystal glass

**SURFACE**

brushed nickel

**SPECIFICATIONS**

KEUCO Edition tumbler holder, 11550059000  
tumbler holder in sculptural design,  
brushed nickel holder with slightly rounded edges,  
complete with crystal glass, easy to clean,  
width 2-7/8", height 5-5/16", depth 4-3/4",  
the holder is fitted concealed,  
delivery includes anti-corrosion fixings

**Warranty:** KEUCO products are covered by a 5-year manufacturer's warranty, in effect from the date of purchase. During this time, proven product defects will be remedied free of charge. Warranty claims must be filed in writing, including a detailed description of the defect immediately after a defect has occurred. For a copy of our detailed product warranty policy, please contact us at [office-usa@keuco.com](mailto:office-usa@keuco.com).

**Installation:** KEUCO products must be installed by a qualified professional in accordance with the respective installation guidelines and any applicable federal / local building codes and regulations.