

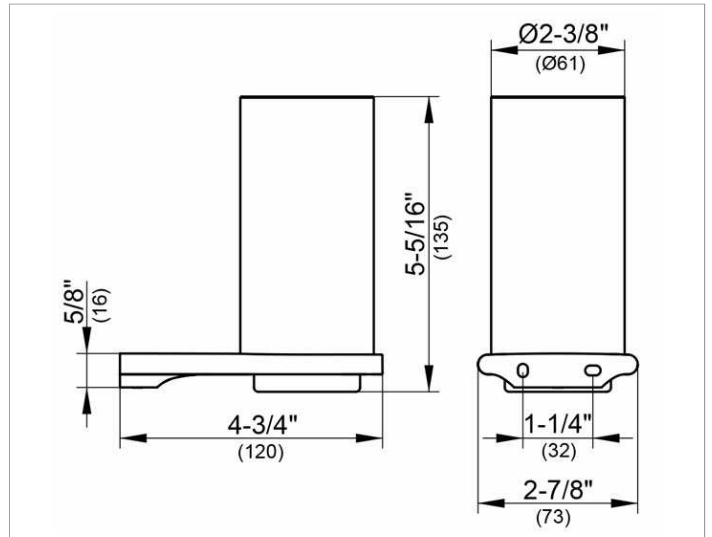
Edition 400

11550019000 Tumbler holder

PRODUCT



DRAWING



PRODUCT ATTRIBUTES

complete with crystal glass

SURFACE

chrome-plated

SPECIFICATIONS

KEUCO Edition tumbler holder, 11550019000
 tumbler holder in sculptural design,
 chrome-plated holder with slightly rounded edges,
 complete with crystal glass, easy to clean,
 width 2-7/8", height 5-5/16", depth 4-3/4",
 the holder is fitted concealed,
 delivery includes anti-corrosion fixings

Warranty: KEUCO products are covered by a 5-year manufacturer's warranty, in effect from the date of purchase. During this time, proven product defects will be remedied free of charge. Warranty claims must be filed in writing, including a detailed description of the defect immediately after a defect has occurred. For a copy of our detailed product warranty policy, please contact us at office-usa@keuco.com.

Installation: KEUCO products must be installed by a qualified professional in accordance with the respective installation guidelines and any applicable federal / local building codes and regulations.