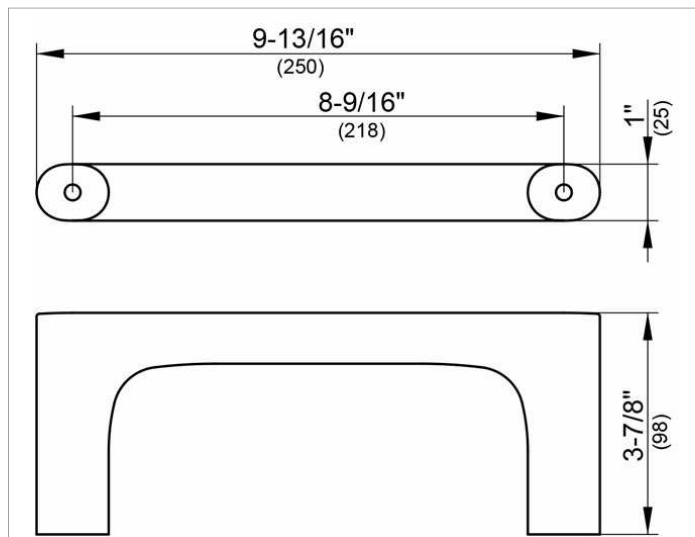


Edition 400  
11521010000 Towel ring

**PRODUCT**



**DRAWING**



**PRODUCT ATTRIBUTES**

fixed

**SURFACE**

polished chrome

**SPECIFICATIONS**

KEUCO Edition 400 towel ring, 11521010000  
chrome-plated towel ring,  
sculptural design,  
with slightly rounded edges,  
closed, rectangular outline,  
rounded at the lower corners,  
antistatic, easy to clean,  
depth 3-7/8", width 9-13/16", height 1",  
the towel ring is fitted concealed,  
delivery included anti-corrosion fixings

**Warranty:** KEUCO products are covered by a 5-year manufacturer's warranty, in effect from the date of purchase. During this time, proven product defects will be remedied free of charge. Warranty claims must be filed in writing, including a detailed description of the defect immediately after a defect has occurred. For a copy of our detailed product warranty policy, please contact us at [office-usa@keuco.com](mailto:office-usa@keuco.com).

**Installation:** KEUCO products must be installed by a qualified professional in accordance with the respective installation guidelines and any applicable federal / local building codes and regulations.