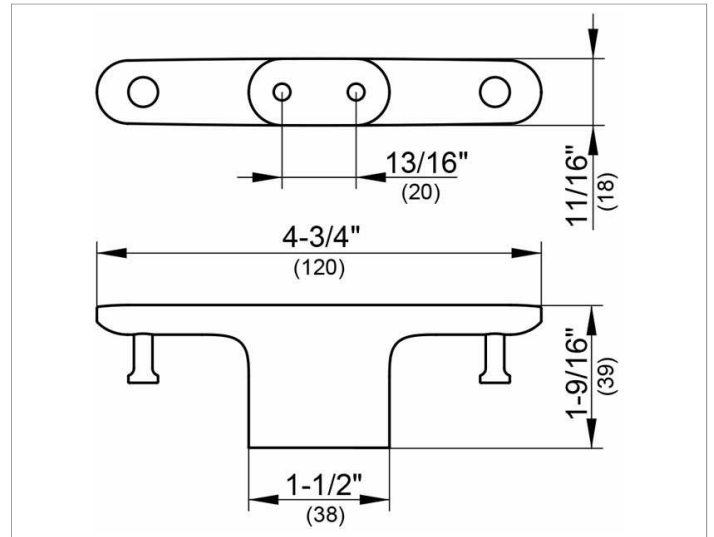


Edition 400  
11515050000 Towel hook

**PRODUCT**



**DRAWING**



**PRODUCT ATTRIBUTES**

double, two concealed hook posts

**SURFACE**

brushed nickel

**SPECIFICATIONS**

KEUCO Edition 400 towel hook, double, 11515050000  
brushed nickel towel hook, double,  
sculptural design,  
with slightly rounded edges,  
with concealed towel hangers,  
hook head slightly angled, easy to clean,  
depth 1-1/2", width 4-3/4", total height 11/16",  
the towel hook is fitted concealed,  
delivery includes anti-corrosion fixings

**Warranty:** KEUCO products are covered by a 5-year manufacturer's warranty, in effect from the date of purchase. During this time, proven product defects will be remedied free of charge. Warranty claims must be filed in writing, including a detailed description of the defect immediately after a defect has occurred. For a copy of our detailed product warranty policy, please contact us at [office-usa@keuco.com](mailto:office-usa@keuco.com).

**Installation:** KEUCO products must be installed by a qualified professional in accordance with the respective installation guidelines and any applicable federal / local building codes and regulations.