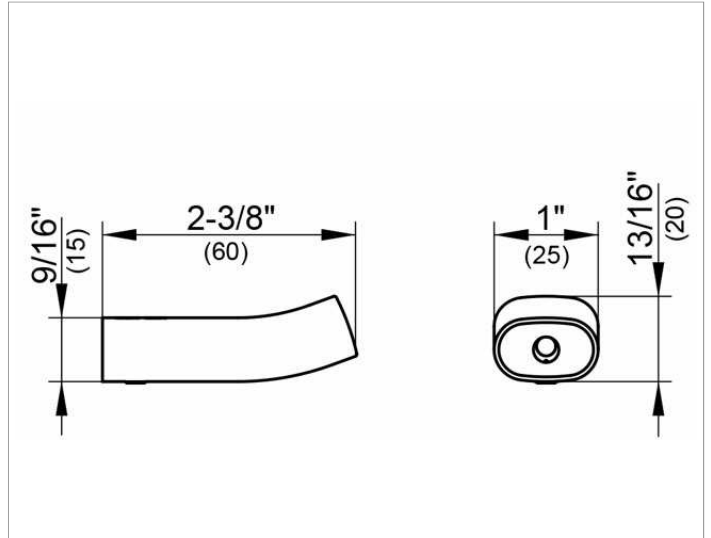


Edition 400
11514010000 Towel hook

PRODUCT



DRAWING



PRODUCT ATTRIBUTES

single

SURFACE

chrome-plated

SPECIFICATIONS

KEUCO Edition 400 towel hook 11514010000
chrome-plated towel hook,
sculptural design,
with slightly rounded edges,
hook head slightly angled, easy to clean,
depth 2-3/8", width 1", total height 13/16",
the towel hook is fitted concealed,
delivery includes anti-corrosion fixings

Warranty: KEUCO products are covered by a 5-year manufacturer's warranty, in effect from the date of purchase. During this time, proven product defects will be remedied free of charge. Warranty claims must be filed in writing, including a detailed description of the defect immediately after a defect has occurred. For a copy of our detailed product warranty policy, please contact us at office-usa@keuco.com.

Installation: KEUCO products must be installed by a qualified professional in accordance with the respective installation guidelines and any applicable federal / local building codes and regulations.