

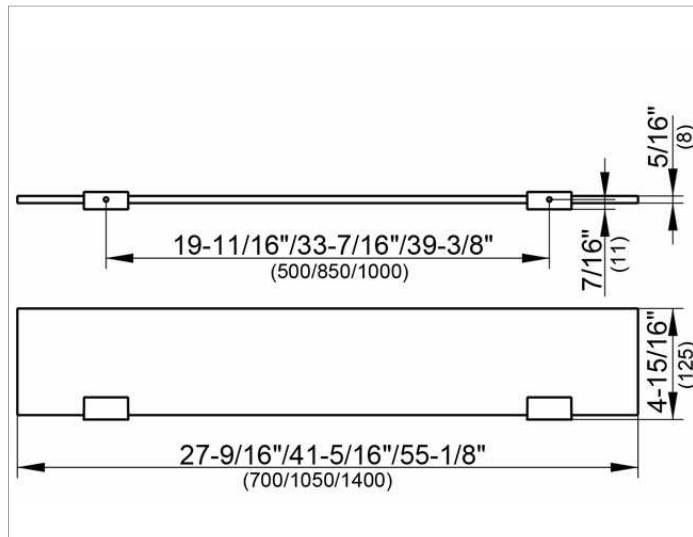
Edition 400

11510015100 Glass shelf with brackets

**PRODUCT**



**DRAWING**



**PRODUCT ATTRIBUTES**

complete with crystalline glass shelf  
tempered glass (ESG), without green tinged edge

**SURFACE**

polished chrome

**DIMENSION**

41,34 x 4,72 x ,31 "

**SPECIFICATIONS**

KEUCO Edition 400 glass shelf with brackets 11510015100  
Glass shelf complete consisting of  
2 chrome-plated brackets  
with crystalline glass shelf,  
tempered glass (ESG),  
Dimensions 41-5/16" x 5/16" x 4-15/16",  
the brackets are fitted concealed,  
delivery includes anti-corrosion fixings

**Warranty:** KEUCO products are covered by a 5-year manufacturer's warranty, in effect from the date of purchase. During this time, proven product defects will be remedied free of charge. Warranty claims must be filed in writing, including a detailed description of the defect immediately after a defect has occurred. For a copy of our detailed product warranty policy, please contact us at [office-usa@keuco.com](mailto:office-usa@keuco.com).

**Installation:** KEUCO products must be installed by a qualified professional in accordance with the respective installation guidelines and any applicable federal / local building codes and regulations.