

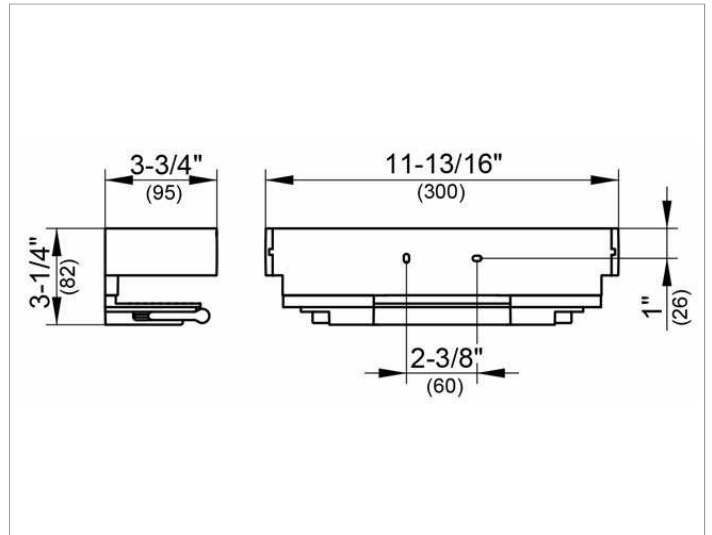
Edition 11

11159050000 Shower basket

PRODUCT



DRAWING



PRODUCT ATTRIBUTES

with integrated squeegee,
removable, with concealed fastening bracket

SURFACE

aluminum silver anodized/brushed nickel

Warranty: KEUCO products are covered by a 5-year manufacturer's warranty, in effect from the date of purchase. During this time, proven product defects will be remedied free of charge. Warranty claims must be filed in writing, including a detailed description of the defect immediately after a defect has occurred. For a copy of our detailed product warranty policy, please contact us at office-usa@keuco.com.

Installation: KEUCO products must be installed by a qualified professional in accordance with the respective installation guidelines and any applicable federal / local building codes and regulations.