

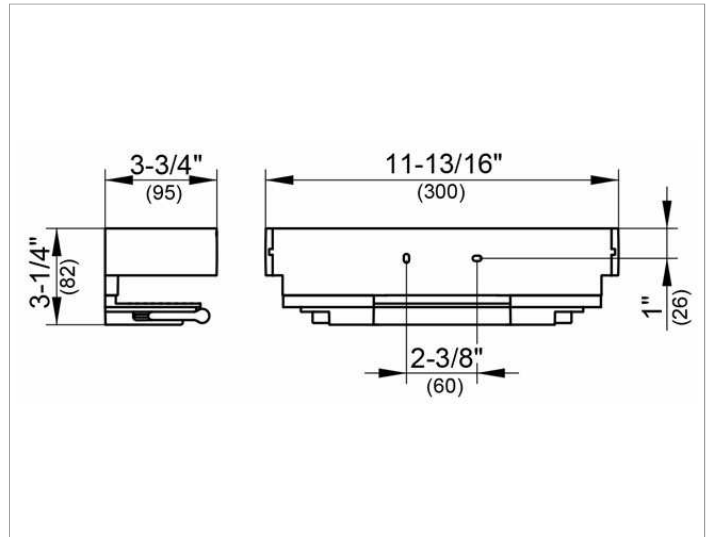
Edition 11

11159010000 Shower basket

**PRODUCT**



**DRAWING**



**PRODUCT ATTRIBUTES**

with integrated squeegee,  
removable, with concealed fastening bracket

**SURFACE**

aluminum silver anodized/polished chrome

**Warranty:** KEUCO products are covered by a 5-year manufacturer's warranty, in effect from the date of purchase. During this time, proven product defects will be remedied free of charge. Warranty claims must be filed in writing, including a detailed description of the defect immediately after a defect has occurred. For a copy of our detailed product warranty policy, please contact us at [office-usa@keuco.com](mailto:office-usa@keuco.com).

**Installation:** KEUCO products must be installed by a qualified professional in accordance with the respective installation guidelines and any applicable federal / local building codes and regulations.