

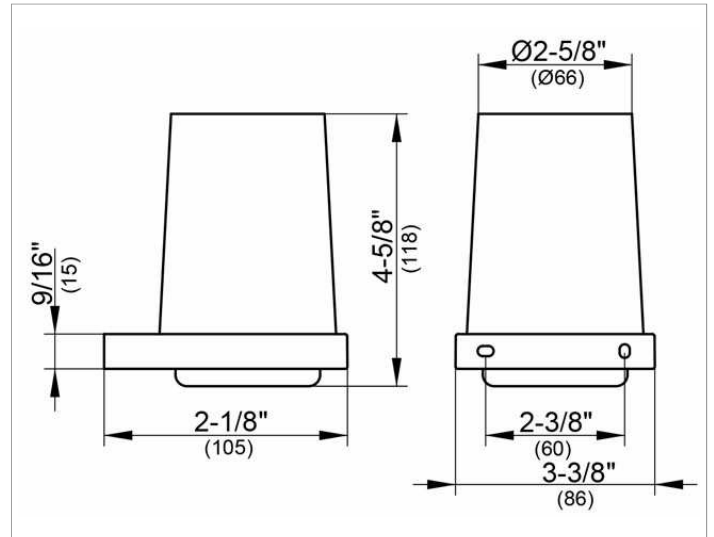
Edition 11

11150139000 Tumbler holder

PRODUCT



DRAWING



PRODUCT ATTRIBUTES

complete with crystal glass tumbler, hand-blown

SURFACE

brushed black chrome

SPECIFICATIONS

KEUCO EDITION 11 11150139000 glass holder with crystal glass for wall mounting, complete brushed black chrome glass holder in a clear-cut design and geometric shapes, easy to clean, Holder with frosted crystal glass Item no. 11150009000 Height 4-5/8", 2-1/8", width 3-3/8" delivery with corrosion resistant mounting hardware

Warranty: KEUCO products are covered by a 5-year manufacturer's warranty, in effect from the date of purchase. During this time, proven product defects will be remedied free of charge. Warranty claims must be filed in writing, including a detailed description of the defect immediately after a defect has occurred. For a copy of our detailed product warranty policy, please contact us at office-usa@keuco.com.

Installation: KEUCO products must be installed by a qualified professional in accordance with the respective installation guidelines and any applicable federal / local building codes and regulations.