

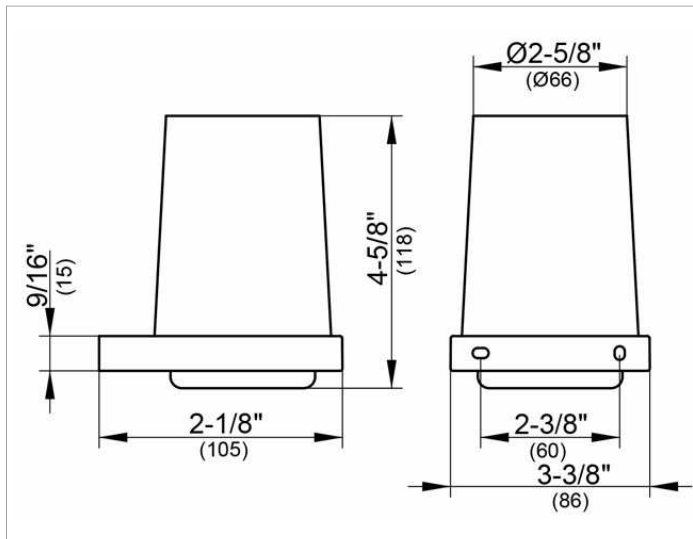
Edition 11

11150019000 Tumbler holder

**PRODUCT**



**DRAWING**



**PRODUCT ATTRIBUTES**

complete with crystal glass tumbler, hand-blown

**SURFACE**

chrome-plated

**SPECIFICATIONS**

KEUCO EDITION 11 11150019000 glass holder with crystal glass for wall mounting, complete  
 chromed glass holder in a clear-cut design and geometric shapes, easy to clean,  
 Holder with frosted crystal glass Item no. 11150009000  
 Height 4-5/8", 2-1/8", width 3-3/8"  
 delivery with corrosion resistant mounting hardware

**Warranty:** KEUCO products are covered by a 5-year manufacturer's warranty, in effect from the date of purchase. During this time, proven product defects will be remedied free of charge. Warranty claims must be filed in writing, including a detailed description of the defect immediately after a defect has occurred. For a copy of our detailed product warranty policy, please contact us at [office-usa@keuco.com](mailto:office-usa@keuco.com).

**Installation:** KEUCO products must be installed by a qualified professional in accordance with the respective installation guidelines and any applicable federal / local building codes and regulations.